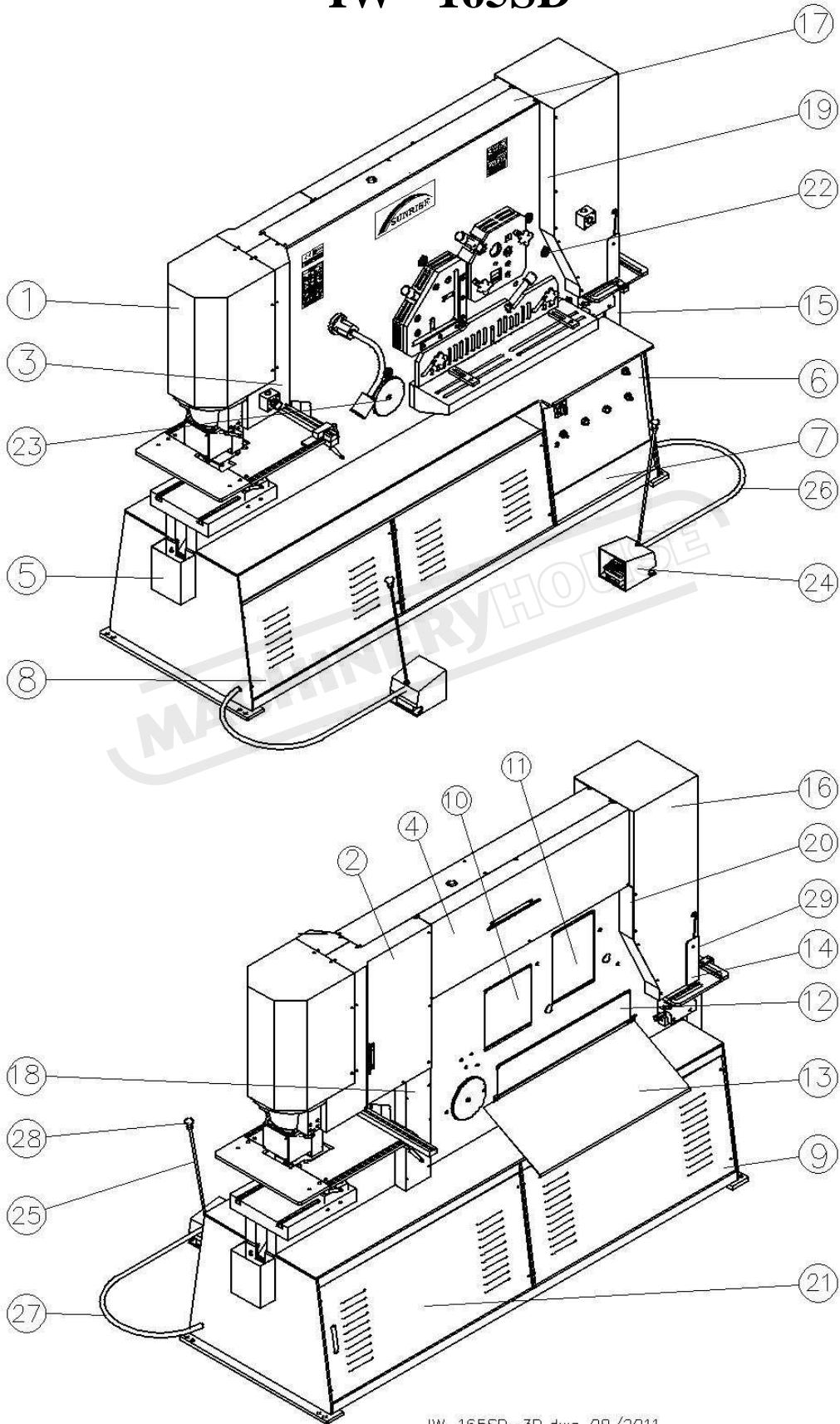


IW - 165SD



Model: **IW-165SD**Part: **Cover Plates**Date: 02/2012

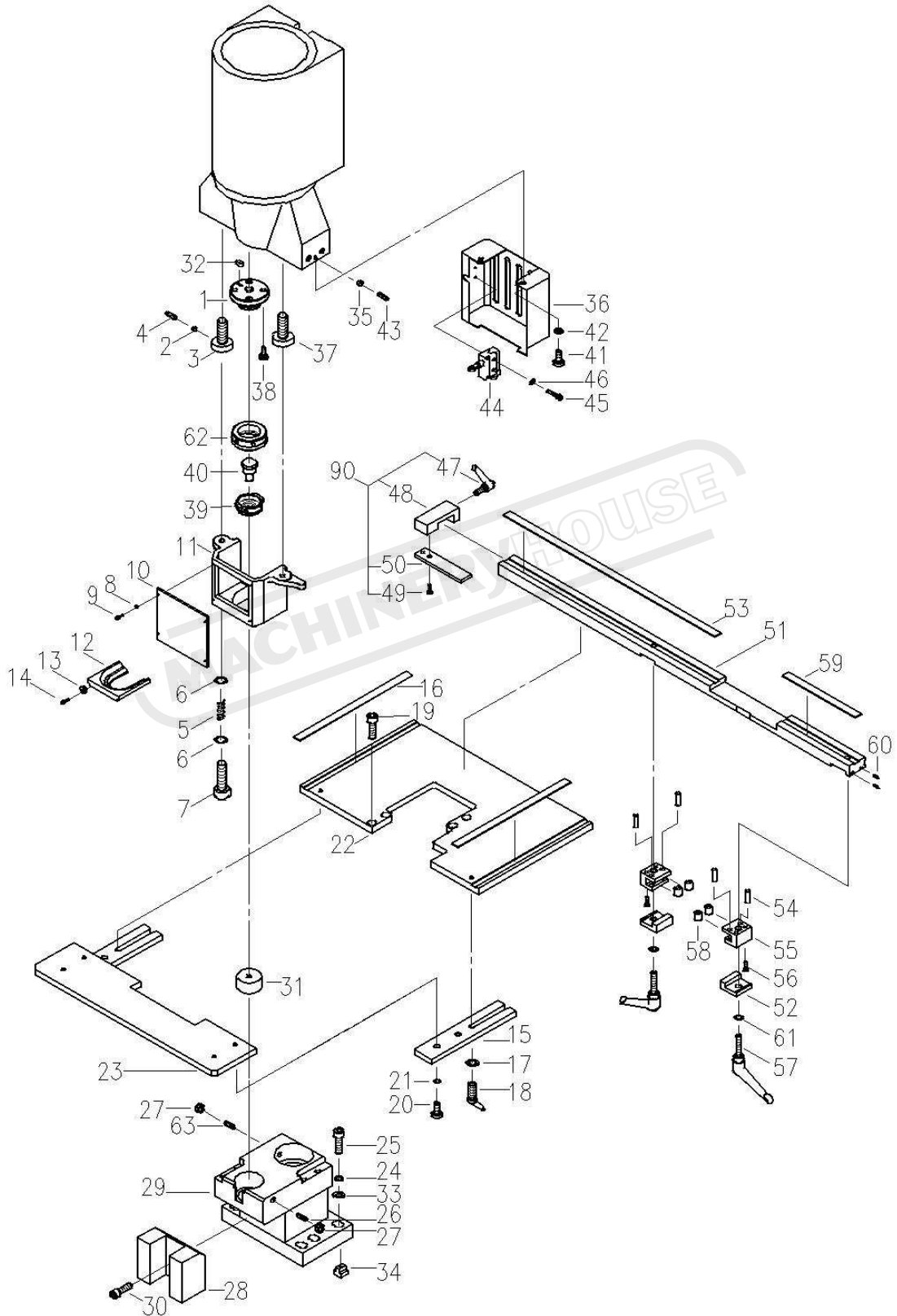
Item	Part Number	Description	產品名稱	Q'ty	Memo
1	213802006A	Punching Cylinder Cover A	沖孔油壓缸護蓋 A	1	
2	213802030	Punching Cylinder Cover B	沖孔油壓缸護蓋 B	1	
3	213802008B	Punching Cylinder Cover	沖孔油壓缸護蓋 C	1	
4	213802002A	Shearing Limits Switch Cover	剪切限動調整護蓋	1	
5	211302021A	Scrap Box For Punching	沖孔鐵屑盒	1	
6	213602902A	213602023E 213602024A 212602019B 52414APL93902	Electrical Box	電氣箱總成	1
7	213602019	Front Base Cover	電氣箱底座護蓋	1	
8	213802018	Front Base Cover	底座前蓋	2	
9	213802019	Rear Base Cover A	底座後蓋 A	1	
10	213802010A	Safety Guard for Angle Shear	剪角鐵護板	1	
11	213802012A	Safety Guard for Bar Shear	剪圓方護板	1	
12	213802011A	Safety Guard for Flat Shear	剪平板護板	1	
13	213802013C	Flat Bar Shear Back Plate	滑料片	1	
14	213802026B	Safety Guard For Notching	剪角安全護板	1	
15	211302022	Scrap Box For Notching	剪角鐵屑盒	1	
16	213802025B	Notching Cylinder Cover	剪角油壓缸護蓋	1	
17	213802001C	Top Cover	上護蓋	1	
18	213802027	Hose Cover	配管套蓋	1	
19	213802029	Notching Side Cover A (Front)	護蓋固定板 A (前)	1	
20	213802004A	Notching Side Cover B (Rear)	護蓋固定板 B (後)	1	
21	213802020	Rear Base Cover B	底座後蓋 B	1	
22	213810007 211310008B	Adjust Pushing Screw Adjust Pushing Nut	壓塊固定螺絲 壓塊固定螺帽	5	
23	213810001B	Main Pivot Pin	支持點心軸	1	
24	52413YC135D	Foot Switch YC-135D(CE)	腳踏開關	2	
25	213210008	Foot Switch Handle	腳踏開關提桿	2	
26	56320G0061300A	Foot Switch Cable 3/8"X1300mm	腳踏開關軟管 1300mm	1	
27	56320G0061600A	Foot Switch Cable 3/8"X1600mm	腳踏開關軟管 1600mm	1	

Model: **IW-165SD**Part: **Cover Plates**Date: 02/2012

Item	Part Number	Description	產品名稱	Q'ty	Memo
28	56314118036M10	Waist Shaped Knobs 1180-36-M10	凹槽式旋鈕	2	
29	81ANC1058	Notching Clear Cover	壓克力護板	1	

MACHINERYHOUSE

Punching Station Assembly for Double Cylinder Models



Model: IW-100S/SD, 125S/SD,165SD Part: Punching Station Date: 02/2012

Item	Part Number	Description	產品名稱	Q'ty	Memo
1	42RTBQA	Retaining Thread	螺紋塊	1	
2	211305090	212211009	Copper Piece	銅墊	1
3		211305005B	Stripper Adj. Screw (2)	剝料器調整螺桿(二)	1
4		56301C0006010	Set Screw M6X10	止付內六角螺栓	1
5		211305006	Stripper Spring	沖孔剝料器彈簧	1
6		56303D00012024045	Flat Washer M12	平墊圈	2
7		56301A0012090	Hex Bolt M12X90	六角承窩頭螺栓	1
8		42STBD	56303A00005	Spring Washer M5	彈簧墊圈
9	56301A0005012		Hex Bolt M5X12	六角承窩頭螺栓	4
10	42STBC002		Stripper Clear Cover	剝料器安全護板	1
11	42STBC006A		Stripper	沖孔剝料器	1
12	42STBC003A-20 42STBC003A-42 42STBC003A-52		Stripper Exchangeable Plate	剝料器底板	1
13	42STBC004		Washer	墊片	2
14	56301I0005008		Cap Screw M5X8	半圓內六孔	2
15	212205005C		Table Connecting Plate	工作板組合塊	2
16	S: 213405110 SD: 213505110	S: 213005006A SD: 213105002A	Punching Table Ruler 306mm Punching Table Ruler 506mm	沖孔工作板Y軸標尺	2
17		56303B11012025	Flat Washer M10	平墊圈	2
18		56315404192M1032	Clamp Handle M10X32	萬向把手	2
19		56301A0010020	Hex Bolt M10X20	六角承窩頭螺栓	4
20		56301A0010030	Hex Bolt M10X30	六角承窩頭螺栓	4
21		56303A00010	Spring Washer M10	彈簧墊圈	4
22		S: 213005001C SD: 213105001D	Punching Table A (Main)	沖孔工作板(A)	1
23		213405001A	Punching Table B (Front)	沖孔工作板(B)	1
24		56303A00016	Spring Washer M16	彈簧墊圈	6
25		56301A0016060	Hex Bolt M16X60	六角承窩頭螺栓	6
26	56301C7010060	Set Screw M10X60	止付內六角螺栓	1	
27	56302B0110	Nut M10	螺帽	2	
28	43B3DMWC	43B1D005A	Die Holder Support	下模座支持塊	1
29		43B3DMW900D	Overhang Die Holder (Ø45/Ø80)	雙孔沖孔座	1
30		56301A0012020	Hex Bolt M12X20	六角承窩頭螺栓	1

Model: IW-100S/SD, 125S/SD, 165SD Part: PunchingStation Date: 02/2012

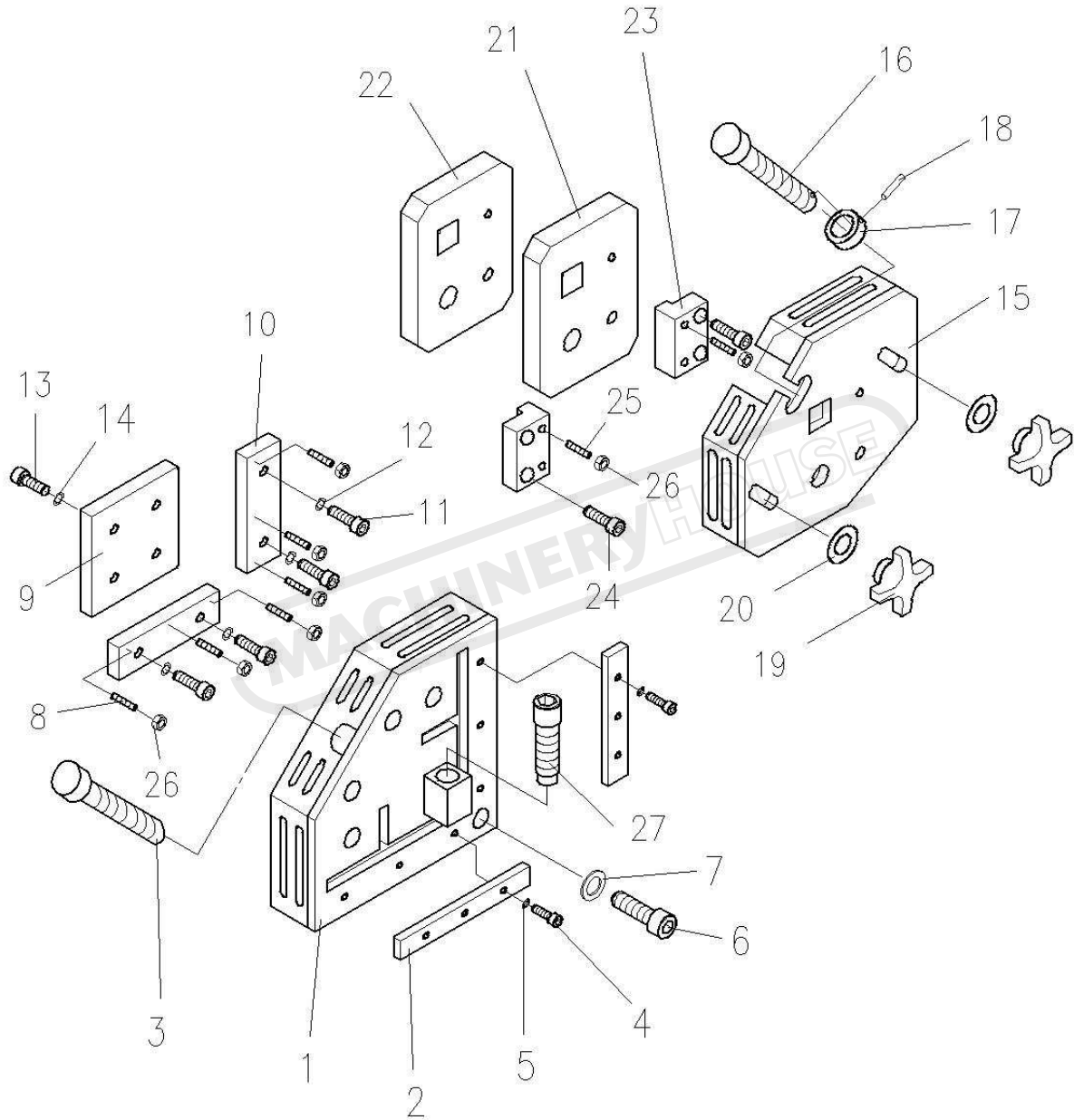
Item	Part Number	Description	產品名稱	Q'ty	Memo	
31	41RD1	Die	圓孔下模	1		
32	56305D00606018	Locating Key	雙頭圓鍵	1		
33	56303D00016032045	Flat Washer M16	平墊圈	6		
34	213405005	T-Shaped Nut M16	T形螺帽	6		
35	213205010	Copper Piece	銅墊	2		
36	213202034	Stripper Rear Guard	剝料器護板	1		
37	211305004B	Stripper Adj. Screw (1)	剝料器調整螺桿(一)	1		
38	56301A0012025	Hex Bolt M12X25	六角承窩頭螺栓	4		
39	42RSBQ30A 42RSBQM40B 42RSBQM50B	Quick Change Sleeve	快拆上模套環	1		
40	41RP1	Punch	圓孔上模	1		
41	56301A0006010	Hex Bolt M6X10	六角承窩頭螺栓	2		
42	56303A00006	Spring Washer M6	彈簧墊圈	2		
43	56301C0010020	Set Screw M10X20	止付內六角螺栓	2		
44	52411TZ7312	Limit Switch	微動開關	1		
45	56301A0004025	Hex Bolt M4X25	六角承窩頭螺栓	2		
46	56303B10005010	Flat Washer M4	平墊圈	2		
47	213005141	56315404163M1020	Clamp Handle M10X20	萬向把手	1	
48		213205004	Stopper Piece	X軸定位板	1	
49		56301F0006016	Sunk Head Hex Bolt M6X16	皿頭六角承窩螺栓	2	
50		212205007S1	Stopper Piece	沖孔定位塊	1	
51		213205018B	Punching Stopper Guide	Y軸定位板	1	
52		213205020	Stopper Guide Base	定位板固定滑塊	2	
53		213005015	Punching Stopper Guide Ruler 602.5mm	Y軸定位尺標尺(左)	1	
54		56306R0080030	Pin Ø8X30	直銷 Ø8X30	4	
55		213205019	Stopper Y-axis Guide	Y軸定位滑座	2	
56		56301A4006030	Hex Bolt M6X30	六角承窩頭螺栓	4	
57		56315404192M1050	Clamp Handle M10X50	萬向把手	2	
58		56309DTA815	Needle Bearing TA815	滾針軸承 TA815	4	
59		213005014	Punching Stopper Guide Ruler 207.5mm	Y軸定位尺標尺(右)	1	
60		56301C0005008	Set Screw M5X8	止付內六角螺栓	2	
61		56303B11012025	Flat Washer M10	平墊圈	2	

Model: **IW-100S/SD, 125S/SD, 165SD** Part: **PunchingStation** Date: 02/2012

Item	Part Number	Description	產品名稱	Q'ty	Memo
62	42RNBQA	Retaining Nut	沖頭鎖緊螺帽	1	
63	56301C7010045	Set Screw M10X45	止付內六角螺栓	1	
90	213005121S	Punching Stopper Set	沖孔定位塊組	1	

MACHINERYHOUSE

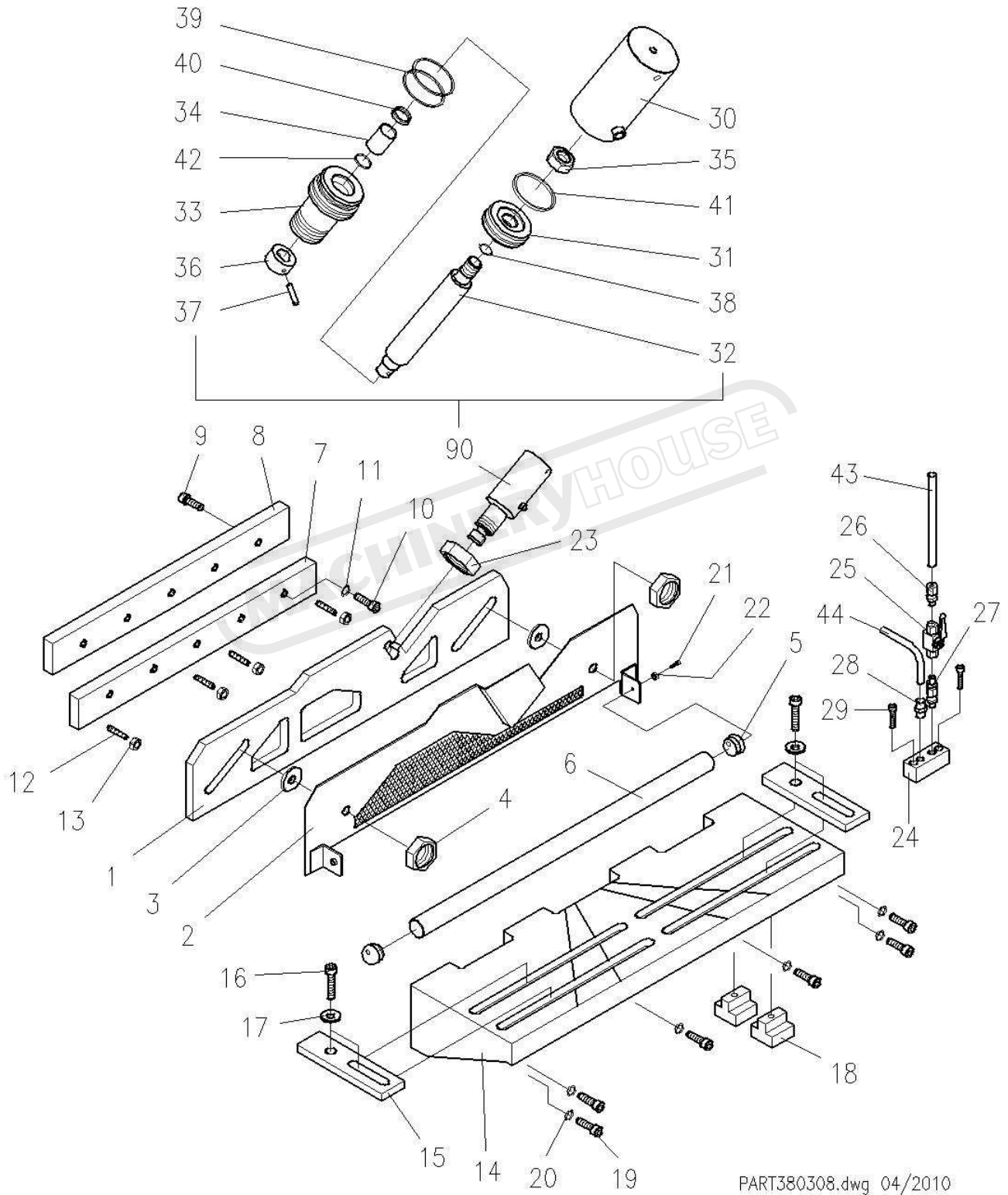
Angle and Bar Shear Station for Double Cylinder Models



Model: **IW-165SD**Part: **Angle and Bar Shear Station**Date: 02/2012

Item	Part Number		Description	產品名稱	Q'ty	Memo
1	213807900A	213807002A	Angle Shear Holddown	角鐵剪切座	1	
		213007004				
		213802014				
		213802015				
		213207005A				
2	212407004A		Angle Holddown Adjusting Plate	L型鐵座調整塊	2	
3	212810007B		Angle Holddown Screw	L型鐵座調整螺桿	1	
4	56301A0010025		Hex Bolt M10X25	六角承窩頭螺栓	6	
5	56303A00010		Spring Washer M10	彈簧墊圈	6	
6	56301A0020030		Hex Bolt M20X30	六角承窩頭螺栓	5	
7	56303B00020037040		Flat Washer M20	平墊圈	5	
8	56301C8010040		Set Screw M10X40	止付內六角螺栓	8	
9	213807001A		Angle Shear Moving Blade	角鐵剪切刀具(活動)	1	
10	212807001B		Angle Shear Stationary blade	角鐵剪切刀具(固定)	2	
11	56301A0016060		Hex Bolt M16X60	六角承窩頭螺栓	4	
12	56303A00016		Spring Washer M16	彈簧墊圈	4	
13	56301A0016065		Hex Bolt M16X65	六角承窩頭螺栓	3	
14	56303A00016		Spring Washer M16	彈簧墊圈	3	
15	213809900	213809003	Rd/Sq Shear Holddown	圓方壓板	1	
		213802016				
		213802017				
16	213810900	213810008	Shear Holddown Screw	平板,圓方壓塊移動螺桿	1	
17		211310011	Holddown Screw End Piece	調整螺桿拉塊	1	
18		56306S0060030	Spring Pin Ø6X30	彈簧銷	1	
19	56314DIN633576		Fix Nut for Holddown	十字旋鈕(不銹鋼)	2	
20	56303B11020040		Flat Washer M16	平墊圈	2	
21	213809001		Rd/Sq Shear Stationary Blade	圓方刀具(固定)	1	
22	213809002		Rd/Sq Shear Moving Blade	圓方刀具(活動)	1	
23	211309004		Rd/Sq Shear Blade Fix Plate	圓方刀具固定塊	2	
24	56301A0012020		Hex Bolt M12X20	六角承窩頭螺栓	4	
25	56301C8010060		Set Screw M10X60	止付內六角螺栓	4	
26	56302B0110		Nut M10	螺帽	10	
27	213207006A		Angle Holddown Screw	L型鐵座調整螺桿	1	

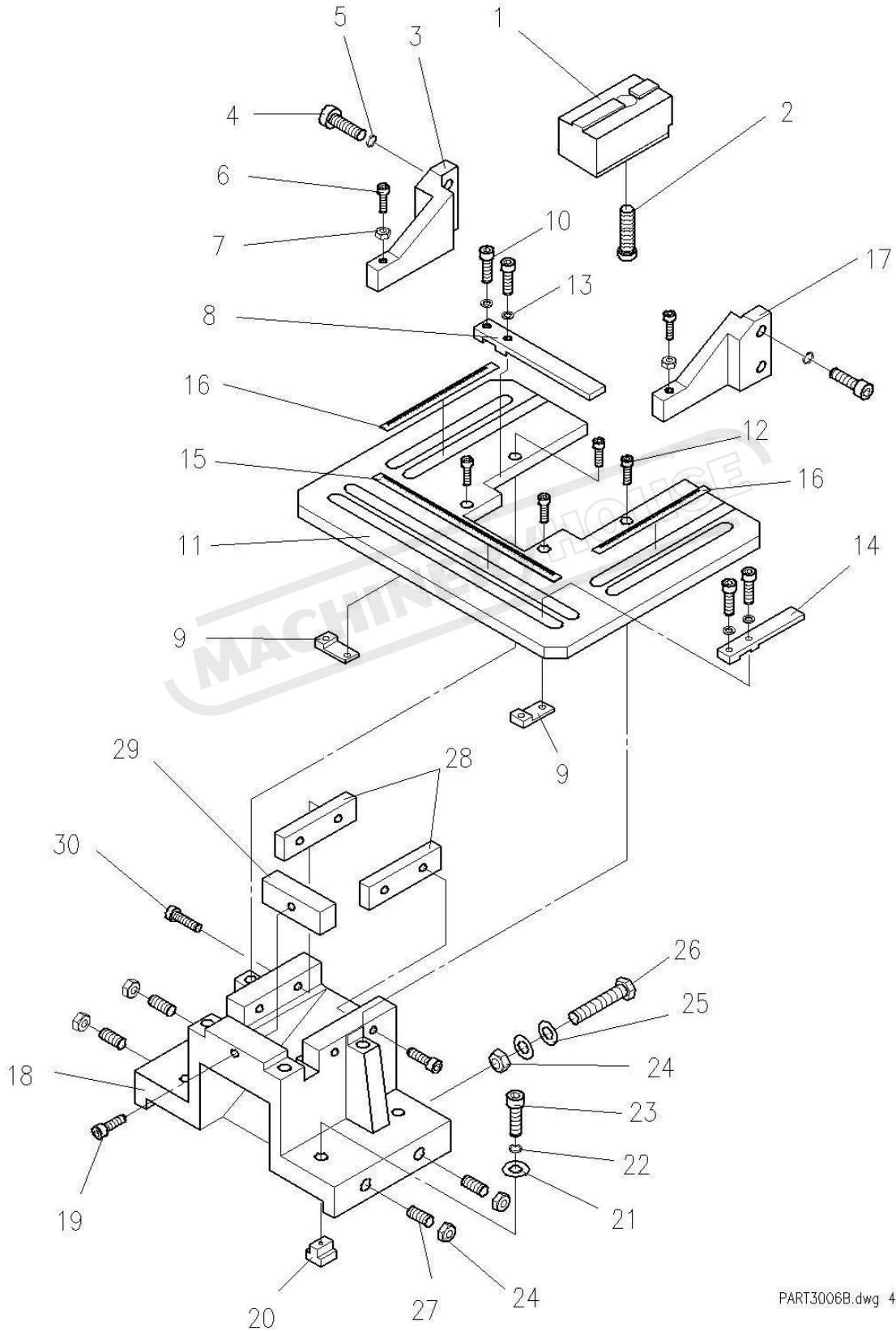
Hydraulic Holddown for Double Cylinder Models



Model: **IW-165SD**Part: **Flat Shear Station**Date: 02/2012

Item	Part Number	Description	產品名稱	Q'ty	Memo
1	213808005A	Hydraulic Holddown for Flat Shear	油壓平板剪切壓板	1	
2	213802901	213802021A 213802022	Cover for Hydraulic Holddown	油壓平板剪切護蓋	1
3	213010007	Washer	油壓平板活動座墊圈	2	
4	56302B0116	Nut M16	螺帽	2	
5	212810010	Protective Pipe Ends	安全滾桿套蓋	2	
6	511330380350783	Protective Pipe	白鐵管Ø38X Ø35X 783	1	
7	213808002A	Flat Shear Lower Blade	平板剪切刀具(固定)	1	
8	213808003A	Flat Shear Upper Blade	平板剪切刀具(活動)	1	
9	56301A0016065	Hex Bolt M16X65	六角承窩頭螺栓	5	
10	56301A0016090	Hex Bolt M16X90	六角承窩頭螺栓	5	
11	56303A00016	Spring Washer M16	彈簧墊圈	5	
12	56301C8012075	Set Screw M12X75	止付內六角螺栓	10	
13	56302B0112	Nut M12	螺帽	10	
14	213808001B	Flat Shear Table	平板支持座	1	
15	213208002A	Flat Shear Stopper	平板固定塊	2	
16	56301A0012035	Hex Bolt M12X35	六角承窩頭螺栓	4	
17	56303D00012024045	Flat Washer M12	平墊圈	4	
18	211305012	T-Shaped Nut	T形螺帽	4	
19	56301A0014060	Hex Bolt M14X60	六角承窩頭螺栓	8	
20	56303A00014	Spring Washer M14	彈簧墊圈	8	
21	56301A0006025	Hex Bolt M6X25	六角承窩頭螺栓	2	
22	56302B0106	Nut M6	螺帽	2	
23	213010006	Nut M48X1.5	油壓缸固定螺帽	1	
24	211603914A	Connector	兩通	1	
25	53653PN500DN6	Ball Relief Valve	球閥	1	
26	56271110404	Direct Joint 1/4TX1/4T	直銜接頭1/4T內X1/4T外	1	
27	56202110404	Direct Joint 1/4TX1/4T	直接頭1/4TX1/4T	1	
28	56203110404	Direct Joint 1/4TX1/4H	直接頭1/4TX1/4H	1	
29	56301A0008030	Hex Bolt M8X30	六角承窩頭螺栓	2	
30	213403921B	Cylinder Pipe	缸管	1	

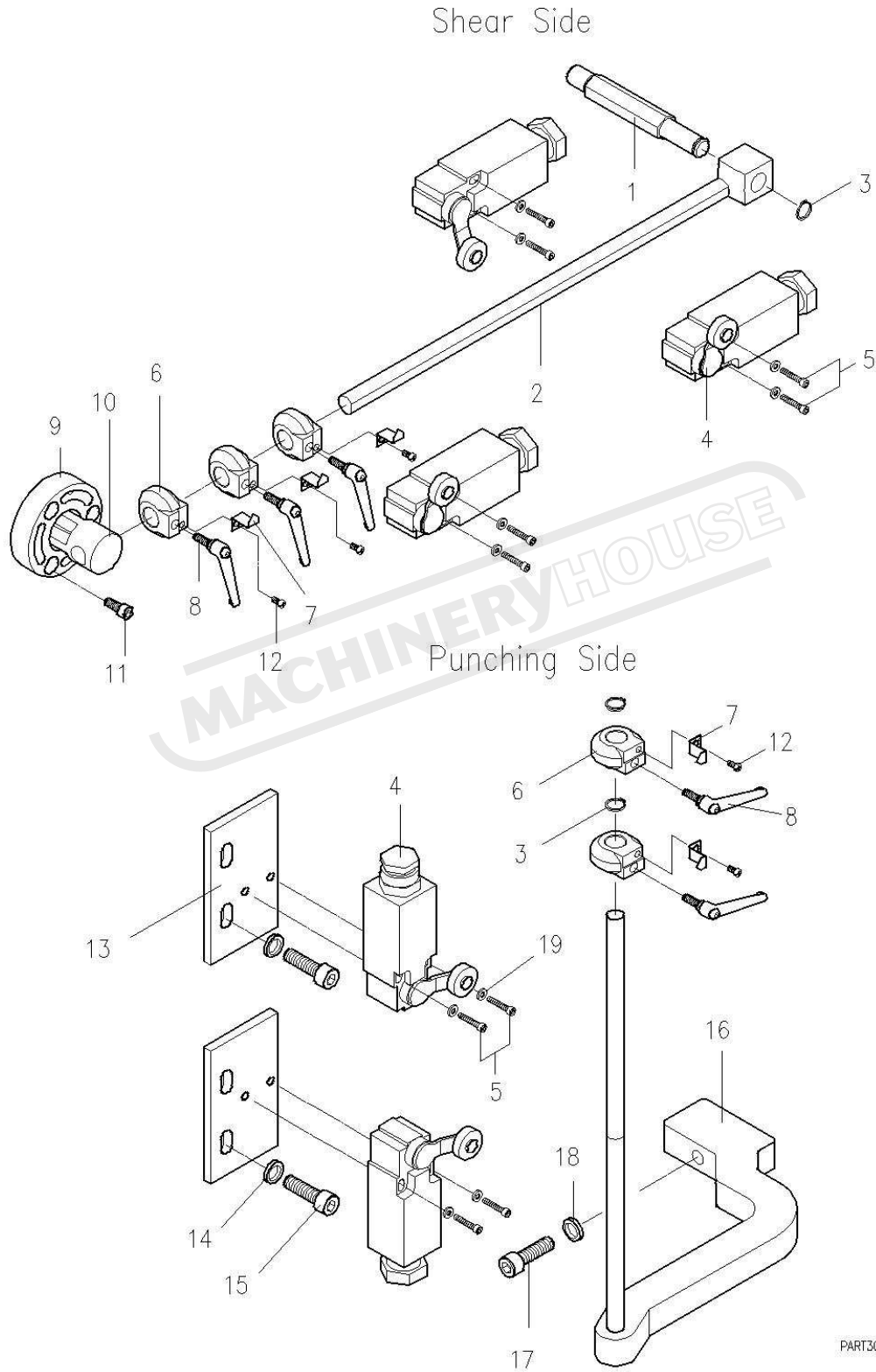
Notching Station Assembly for Double Cylinder Models



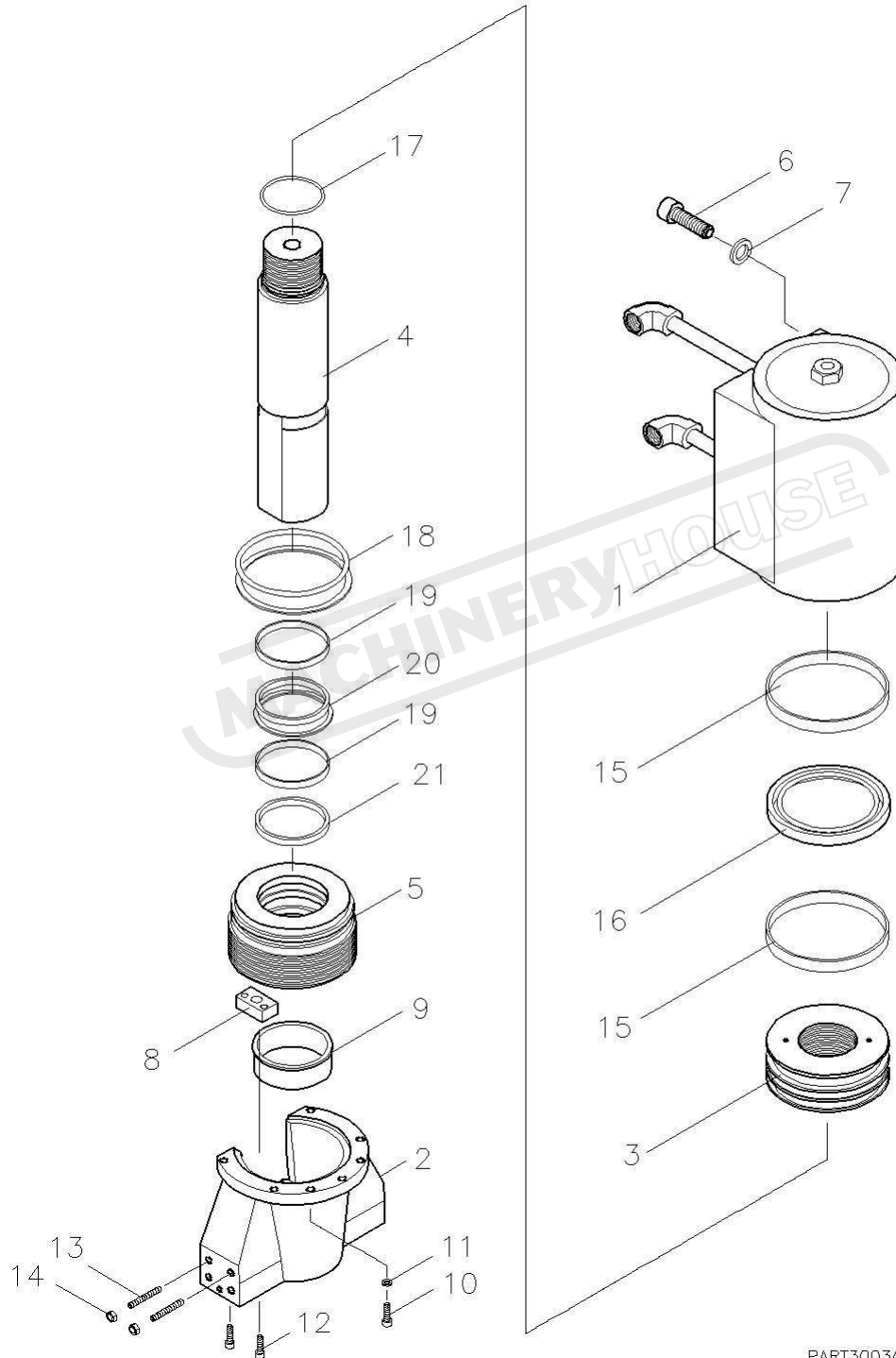
Model: **IW-165SD**Part: **Notching Station**Date: 02/2012

Item	Part Number	Description	產品名稱	Q'ty	Memo	
1	213406001B	Notcher Top Blade	方形剪角上刀	1		
2	56301A0018045	Hex Bolt M18X45	六角承窩頭螺栓	1		
3	211306004A	Notching Stripper (left)	剪角剝料器(左)	1		
4	56301A0012035	Hex Bolt M12X35	六角承窩頭螺栓	4		
5	56303A00012	Spring Washer M12	彈簧墊圈	4		
6	56301A0008050	Hex Bolt M8X50	六角承窩頭螺栓	2		
7	56302B0108	Nut M8	六角螺帽	2		
8	213406100	213206003A	Stopper Plate (long)	工作板定位塊	1	
9		211605009A	Clamping Plate	定位板固定滑塊	2	
10		56301A0010040	Hex Bolt M10X40	六角承窩頭螺栓	4	
11		213406003A	Notching Table	剪角工作板	1	
12		56301A0008016	Hex Bolt M8X16	六角承窩頭螺栓	4	
13		56303A00010	Spring Washer M10	彈簧墊圈	4	
14		211606004B	Stopper Plate (Short)	工作板定位塊	1	
15		213206005B	Notching Table Ruler	剪角X軸標尺	1	
16		213206006A	Notching Stopper Guide Ruler	剪角Y軸標尺	2	
17	211306005A	Notching Stripper (right)	剪角剝料器(右)	1		
18	213806001	Notching Bolster	剪角下模座	1		
19	56301A0010035	Hex Bolt M10X35	六角承窩頭螺栓	1		
20	211305012	T-Shaped Nut M12	T形螺帽	4		
21	56303D00012024045	Flat Washer M12	平墊圈	4		
22	56303A00012	Spring Washer M12	彈簧墊圈	4		
23	56301A0012050	Hex Bolt M12X50	六角承窩頭螺栓	4		
24	56302B0112	Nut M12	六角螺帽	6		
25	56303D00012024045	Flat Washer M12	平墊圈	4		
26	56301E0012060	Hex Bolt M12X60	外六角頭螺栓	2		
27	56301C8012035	Set Screw M12X35	止付內六角螺栓	4		
28	211306002F	Notcher Side Blade	方形剪角側刀	2		
29	212406002B	Notcher Front Blade	方形剪角前刀	1		
30	56301A0010020	Hex Bolt M10X20	六角承窩頭螺栓	4		

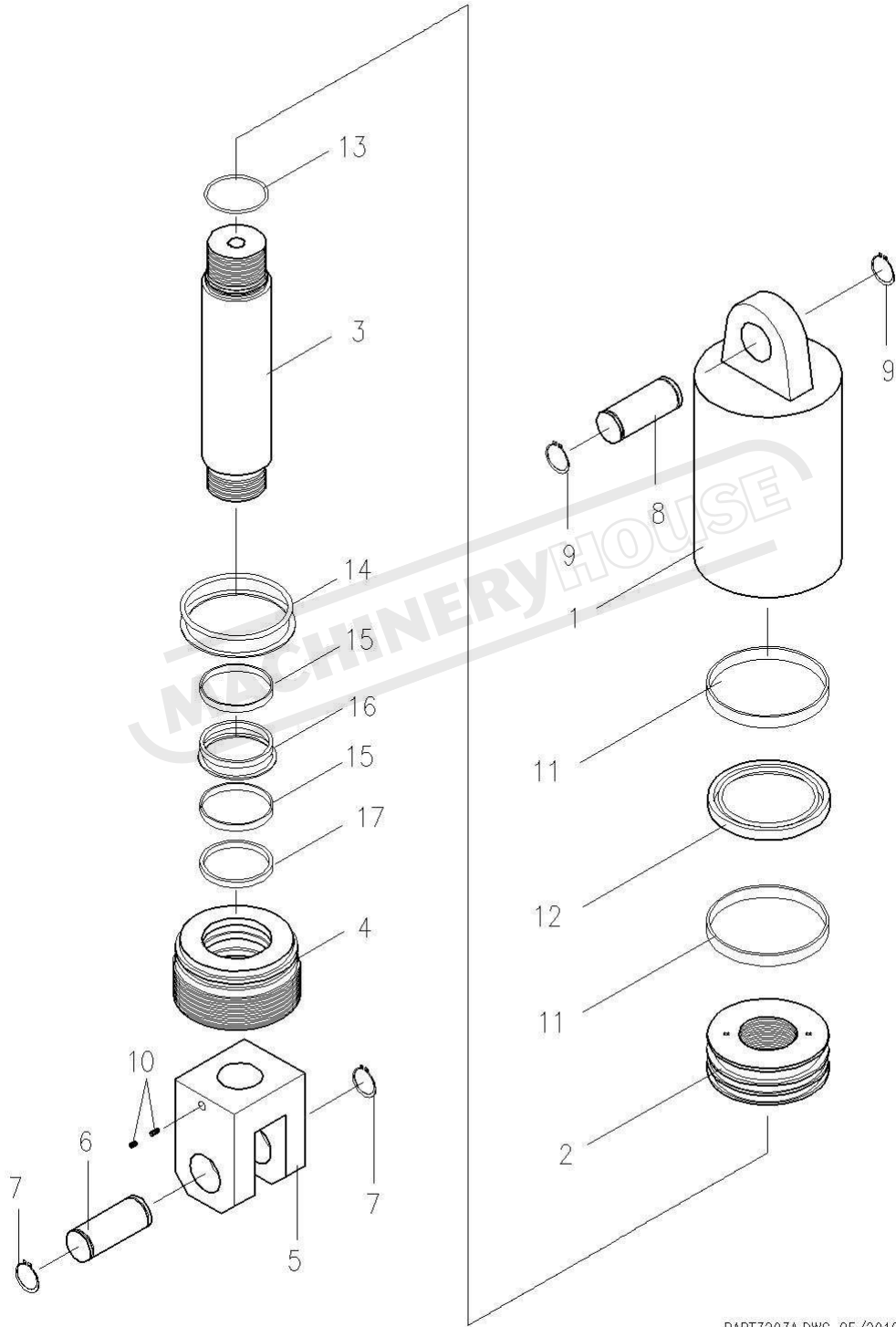
Stroke Adjustment for Double Cylinder Models



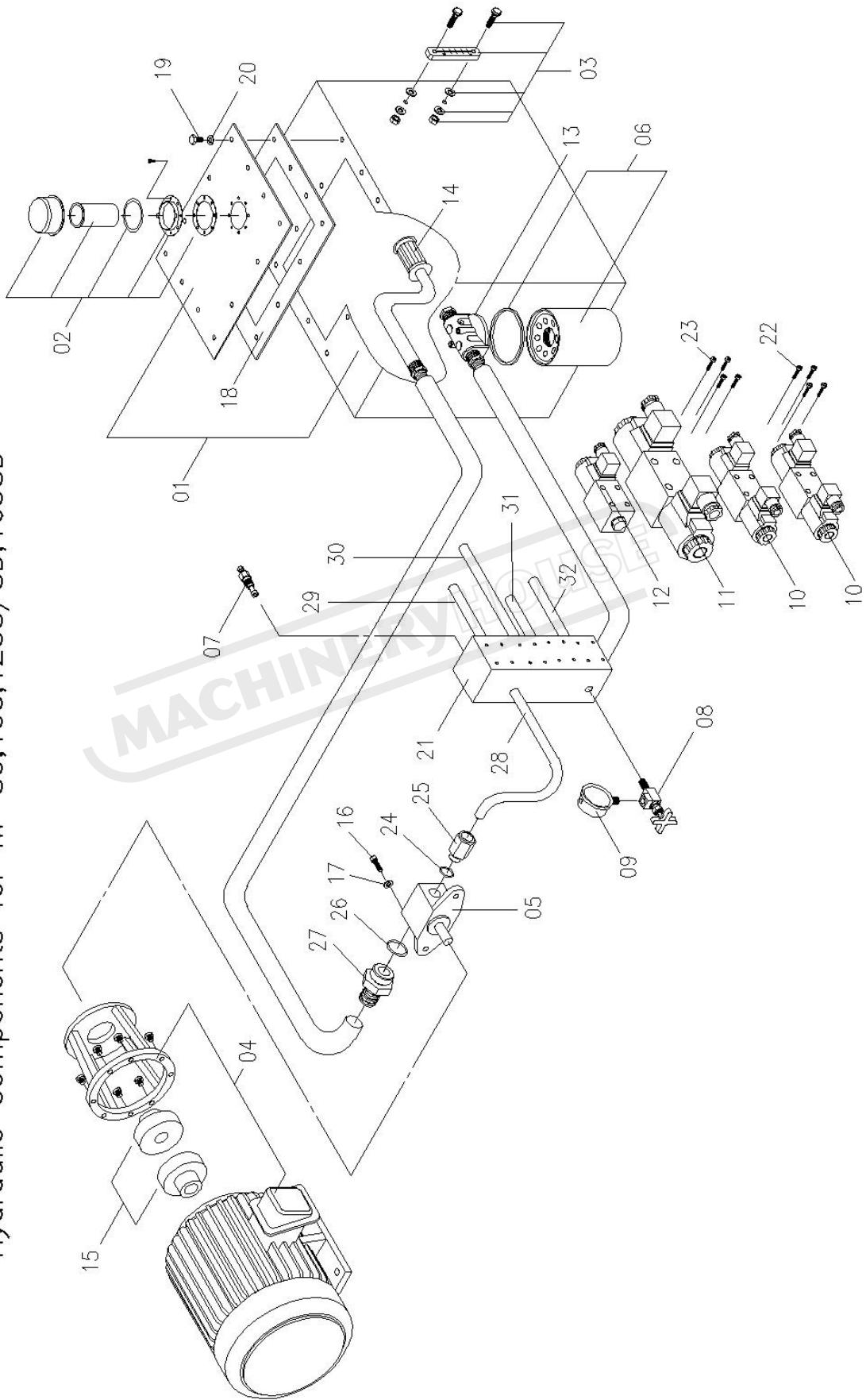
Punching Cylinder Assembly for Double Cylinder Models



Shear Cylinder Assembly for Double Cylinder Models



Hydraulic Components for IW-80,100,125S/SD,165SD



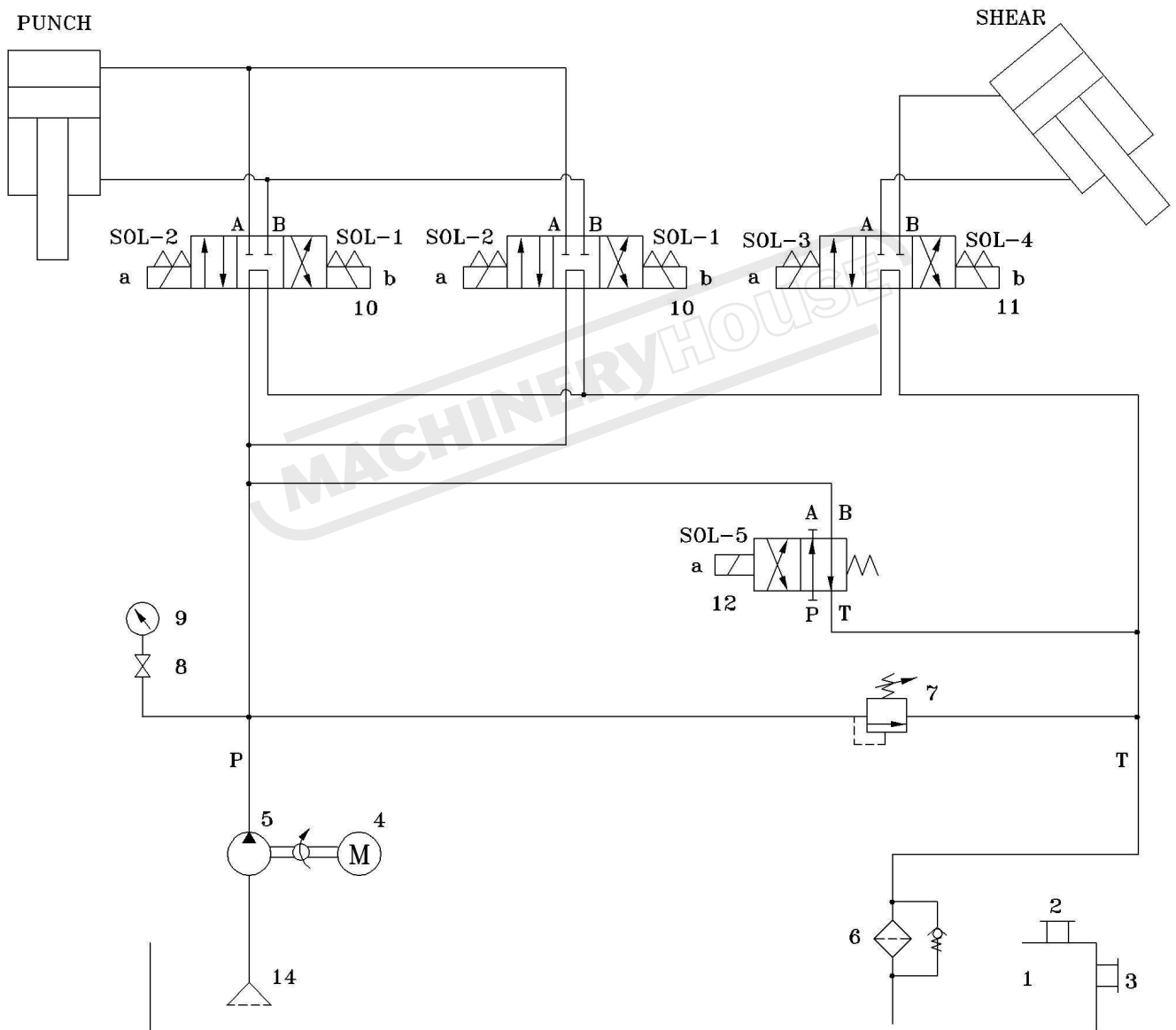
3212BB04.DWG 09/2006

Model: **IW-165SD** Part: **Hydraulic Components Assembly** Date: 02/2012

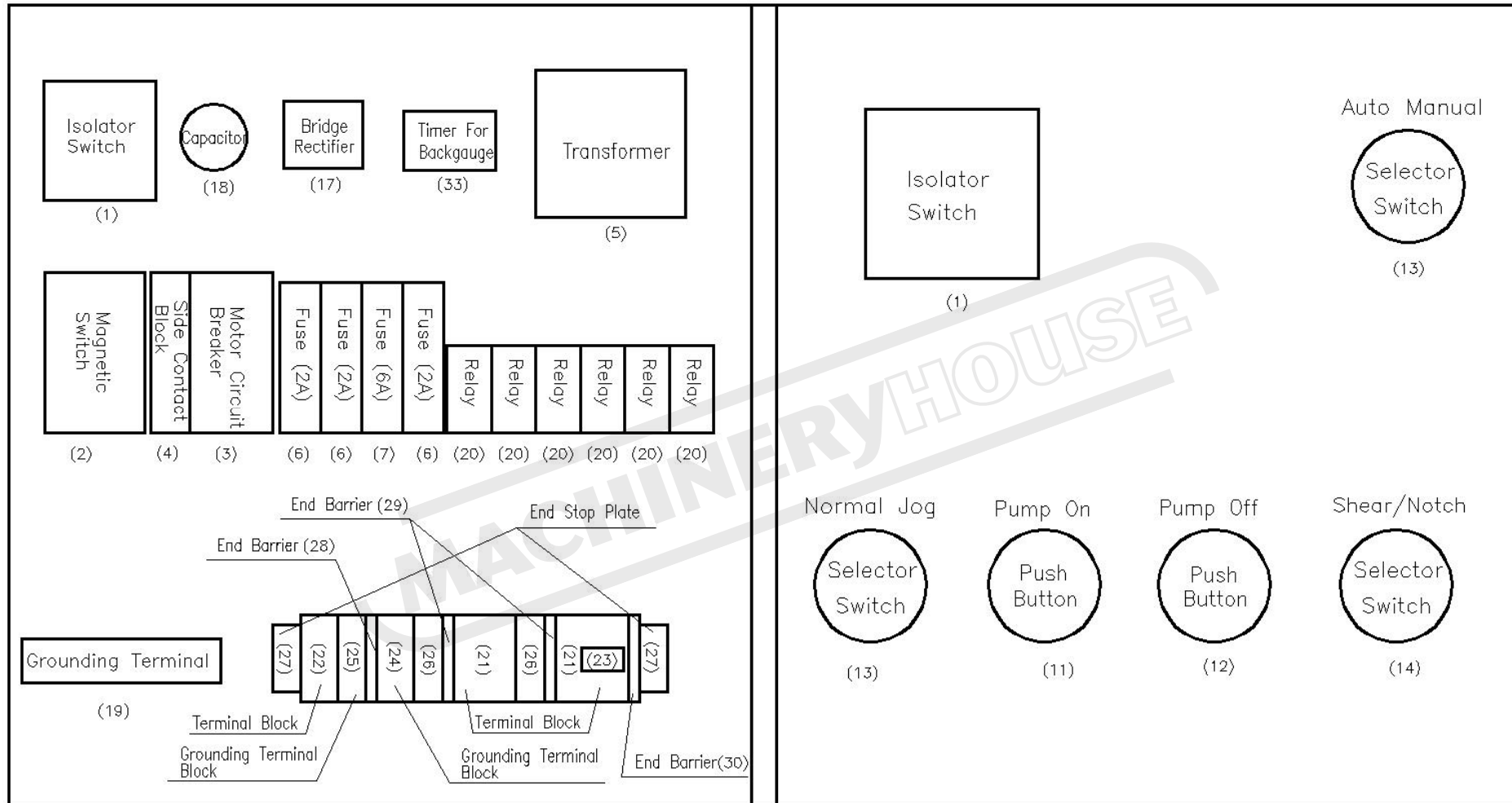
Item	Part Number		Description	產品名稱	Q'ty	Memo
1	213802910	213802028A 212002023	Oil Tank	油箱	1	
2	53702HY08A		Breather & Filler	注油器	1	
3	53701LG4		Oil Level Gauge	油面計	1	
4	20HP 50Hz	380V: 52301200BM 400V: 52301200BM 415V: 52301200BM	Motor	馬達	1	
	20HP 60Hz	220V: 52301200BM 230V: 52301200BM 380V: 52301200YJ 460V: 52301200BM 575V: 52301200DH				
	20HP 60Hz	220V: 52303200YF 380V: 52303200YF				
5	50Hz: 53201SAL245 60Hz: 53201SAL240		Pump	泵浦	1	
6	53301P550251		Return Filter	回油濾油網	1	
7	53656RPECFAN		Relief Valve	洩壓閥	1	
8	53652ST02L		Gauge Cock	考克	1	
9	53621CBLM63350		Pressure Gauge	壓力錶	1	
10	53651DFA02005		Solenoid Valve DFA-02-3C60	電磁閥	2	
11	53651DFA03003		Solenoid Valve DFA-03-3C60	電磁閥	1	
12	53651DFA03001		Solenoid Valve DFA-03-2B3	電磁閥	1	
13	53302PSI5020B		Return Filter Base	回油濾油網座	1	
14	53301MF128		Suction Filter	吸油濾油網	1	
15	212603013B (22/42)		Connector for Motor and Pump	連軸器	1	
16	56301A0012035		Hex Bolt M12X35	六角承窩頭螺栓	2	
17	56303A00012		Spring Washer M12	彈簧墊圈	2	
18	211303008		Oil Tank Cover Seal	油箱油封	1	
19	56301D0008025		Hex Bolt M8X25	六角頭螺栓	10	
20	56303A00008		Spring Washer M8	彈簧墊圈	10	
21	213603017		Manifold Block	油路板(標準+油壓平板)	1	
22	56301A0005045		Hex Bolt M5X45	六角承窩頭螺栓	12	
23	56301A5006035		Hex Bolt M6X35	六角承窩頭螺栓	4	
24	53403P024VT		O-Ring P24	O型環	1	
25	21OLJT007		Oil Joint	泵浦出油口接頭	1	

Hydraulic Circuit

IW-80S/SD
IW-100S/SD
IW-125S/SD
IW-165SD



ELECTRIC PANEL DIAGRAM IRONWORKER "S/SD" MODELS with ELECTRIC BACKGAUGE



IW-165SD (380V/415V)ELECTRICAL PARTS

20HP Y-Delta Start with Electric Backgauge,CE

02/2012

	Part Number	Code	Description	Manufacturer	Q'ty	產品名稱	Memo
1	52407OT63F3	QS	Isolator Switch	ABB Control OY	1	電源開關	
2	52401LC1D18B7	KS	Magnetic Switch	TE	1	電磁接觸器	
	52401LC1D25B7	KD					
	52401LC1D25B7	KM					
3	52402GV2ME32	QF	Motor Circuit Breaker	TE	1	馬達啓動斷路器	
4	52419GVAN11		Side Contact Block	TE	1	輔助接點	
5	524032201510	TR	Transformer	SUENN LIANG	1	變壓器	
6	52801A02A	FU1,FU2, FU4	Fuse	Bussmann	3	保險絲	
7	52801A10A	FU3	Fuse	Bussmann	1	保險絲	
8	52801CFBSCHM1D		Fuse Base	Bussmann	4	保險絲座	
9	52421XB5AS542	SB2	Emergency Stop Button (Shear Side)	TE	1	緊急停止	
10	52421XB5AS542	SB1	Emergency Stop Button (Punch Side)	TE	1	緊急停止	
11	52420XB5AW3361	SB4	Pump ON Push Button	TE	1	綠色罩光按鈕	
12	52407XB5AL42	SB3	Pump OFF Push Button	TE	1	泵浦停止	
13	52415ZB5AD2	SA1,SA3	Selector Switch	TE	2	選擇開關	
14	52415ZB5AG2	SA2	Selector Switch	TE	1	選擇開關	
15	52419ZBE101		Normal Open Contact	TE	2	選擇 A 接點	
16	52419ZBE102		Normal Close Contact	TE	2	選擇 B 接點	
17	52202KBPC2506		Bridge Rectifier	FY	1	橋式整流器	
18	522034700UF50V	C	Capacitor	廣華 (Kuan Hua)	1	電容器	
19	527026P		Grounding Terminal	WAGO	1	接地端子台	
20	52404RMIA2YF08AE	KA1~KA6	Relay	Carlo Gavazzi	6	繼電器	
21	52702280901		Terminal Block	WAGO	40	端子匣	

	Part Number	Code	Description	Manufacturer	Q'ty	產品名稱	Memo
22	52702283901		Terminal Block	WAGO	3	端子匣	
23	52702280402		Jumper Bar	WAGO	7	短路片	
24	52702280907		Grounding Terminal Block	WAGO	2	接地端子匣	
25	52702283907		Grounding Terminal Block	WAGO	1	接地端子匣	
26	52702280681		Terminal Block	WAGO	4	端子匣	
27	52702249117		End Stop Plate	WAGO	2	擋片	
28	52702283325		End Barrier	WAGO	1	端板	
29	52702280324		End Barrier	WAGO	2	端板	
30	52702280308		End Barrier	WAGO	1	端板	
31	52702261301		Terminal Block	Wago	2	端子匣	
32	52702261361		End Barrier	Wago	1	端板	
33	52405H3M1	TIMER	Timer for Backgauge	Fotek	1	定位尺計時器	
34	52405H3TRD30S	TIMER	Timer for Y-Delta Motor Start	Fotek	1	馬達啓動計時器	
35	56294202504		4 Pin Connector For Backgauge	PLT	1	金屬接頭	
36	524092XS212BLNAL2	SENSOR	Proximity Sensor for Backgauge	TE	1	近接開關	
37	52413YC135D	FS1,FS2	Foot Switch	SSUPOU	2	腳踏開關	
38	52811AL201WTG23012	HL	Halogen Lamp	ARC	1	石英燈	
39	52411XCKN2118G11	SQ1~SQ5	Limit Switch for Stroke Adjustment	TE	5	微動開關	
40	52411TZ7311	SQ6	Limit Switch for Notcher	Tend	1	剪角微動開關	
41	52411TZ7312	SQ7	Limit Switch for Stripper	Tend	1	剝料微動開關	

IW-165SD (220V/230V) ELECTRICAL PARTS

20HP Y-Delta Start with Electric Backgauge, CE

02/2012

	Part Number	Code	Name	Manufacturer	Q'ty	產品名稱	Memo
1	52407OT63F3	QS	Isolator Switch	ABB Control OY	1	電源開關	
2	52401LC1D25B7 52401LC1D32B7 52401LC1D32B7	KS KD KM	Magnetic Switch	TE	1	電磁接觸器	
3	52402GV3P65	QF	Motor Circuit Breaker	TE	1	馬達啓動斷路器	
4	52419GVAN11		Side Contact Block	TE	1	輔助接點	
5	220V: 524032201510 230V: 524035751520	TR	Transformer	SUENN LIANG	1	變壓器	
6	52801A02A	FU1,FU2, FU4	Fuse	Bussmann	3	保險絲	
7	52801A10A	FU3	Fuse	Bussmann	1	保險絲	
8	52801CFBSCHM1D		Fuse Base	Bussmann	4	保險絲座	
9	52421XB5AS542	SB2	Emergency Stop Button (Shear Side)	TE	1	緊急停止	
10	52421XB5AS542	SB1	Emergency Stop Button (Punch Side)	TE	1	緊急停止	
11	52420XB5AW3361	SB4	Pump ON Push Button	TE	1	綠色罩光按鈕	
12	52407XB5AL42	SB3	Pump OFF Push Button	TE	1	泵浦停止	
13	52415ZB5AD2	SA1,SA3	Selector Switch	TE	2	選擇開關	
14	52415ZB5AG2	SA2	Selector Switch	TE	1	選擇開關	
15	52419ZBE101		Normal Open Contact	TE	2	選擇 A 接點	
16	52419ZBE102		Normal Close Contact	TE	2	選擇 B 接點	
17	52202KBPC2506		Bridge Rectifier	FY	1	橋式整流器	
18	522034700UF50V	C	Capacitor	廣華 (Kuan Hua)	1	電容器	
19	527026P		Grounding Terminal	WAGO	1	接地端子台	

	Part Number	Code	Name	Manufacturer	Q'ty	產品名稱	Memo
20	52404RMIA2YF08AE	KA1~KA6	Relay	Carlo Gavazzi	6	繼電器	
21	52702280901		Terminal Block	WAGO	40	端子匣	
22	52702283901		Terminal Block	WAGO	3	端子匣	
23	52702280402		Jumper Bar	WAGO	7	短路片	
24	52702280907		Grounding Terminal Block	WAGO	2	接地端子匣	
25	52702283907		Grounding Terminal Block	WAGO	1	接地端子匣	
26	52702280681		Terminal Block	WAGO	4	端子匣	
27	52702249117		End Stop Plate	WAGO	2	擋片	
28	52702283325		End Barrier	WAGO	1	端板	
29	52702280324		End Barrier	WAGO	2	端板	
30	52702280308		End Barrier	WAGO	1	端板	
31	52702261301		Terminal Block	Wago	2	端子匣	
32	52702261361		End Barrier	Wago	1	端板	
33	52405H3M1	TIMER	Timer for Backgauge	Fotek	1	定位尺計時器	
34	52405H3TRD30S	TIMER	Timer for Y-Delta Motor Start	Fotek	1	馬達啓動計時器	
35	56294202504		4 Pin Connector For Backgauge	PLT	1	金屬接頭	
36	524092XS212BLNAL2	SENSOR	Proximity Sensor for Backgauge	TE	1	近接開關	
37	52413YC135D	FS1,FS2	Foot Switch	SSUPOU	2	腳踏開關	
38	52811AL201WTG23012	HL	Halogen Lamp	ARC	1	石英燈	
39	52411XCKN2118G11	SQ1~SQ5	Limit Switch for Stroke Adjustment	TE	5	微動開關	
40	52411TZ7311	SQ6	Limit Switch for Notcher	Tend	1	剪角微動開關	
41	52411TZ7312	SQ7	Limit Switch for Stripper	Tend	1	剝料微動開關	

IW-165SD (460V/575V) ELECTRICAL PARTS

20HP Y-Delta Start with Electric Backgauge,CE

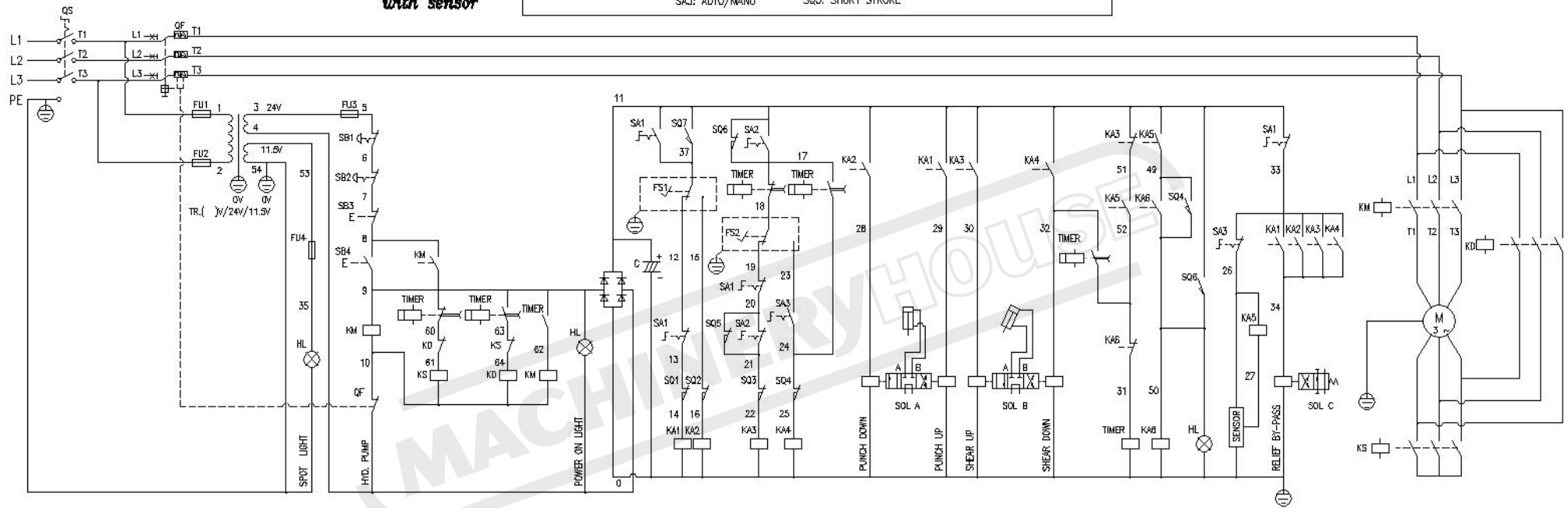
02/2012

	Part Number	Code	Description	Manufacturer	Q'ty	產品名稱	Memo
1	52407OT63F3	QS	Isolator Switch	ABB Control OY	1	電源開關	
2	460V:52401LC1D25B7 : 52401LC1D32B7 : 52401LC1D32B7 575V: 52401LC1D12B7 : 52401LC1D25B7 : 52401LC1D25B7	KS KD KM	Magnetic Switch	TE	1	電磁接觸器	
3	52402GV2ME32	QF	Motor Circuit Breaker	TE	1	馬達啓動斷路器	
4	52419GVAN11		Side Contact Block	TE	1	輔助接點	
5	524035751520	TR	Transformer	SUENN LIANG	1	變壓器	
6	52801A02A	FU1,FU2, FU4	Fuse	Bussmann	3	保險絲	
7	52801A10A	FU3	Fuse	Bussmann	1	保險絲	
8	52801CFBSCHM1D		Fuse Base	Bussmann	4	保險絲座	
9	52421XB5AS542	SB2	Emergency Stop Button (Shear Side)	TE	1	緊急停止	
10	52421XB5AS542	SB1	Emergency Stop Button (Punch Side)	TE	1	緊急停止	
11	52420XB5AW3361	SB4	Pump ON Push Button	TE	1	綠色罩光按鈕	
12	52407XB5AL42	SB3	Pump OFF Push Button	TE	1	泵浦停止	
13	52415ZB5AD2	SA1,SA3	Selector Switch	TE	2	選擇開關	
14	52415ZB5AG2	SA2	Selector Switch	TE	1	選擇開關	
15	52419ZBE101		Normal Open Contact	TE	2	選擇 A 接點	
16	52419ZBE102		Normal Close Contact	TE	2	選擇 B 接點	
17	52202KBPC2506		Bridge Rectifier	FY	1	橋式整流器	
18	522034700UF50V	C	Capacitor	廣華 (Kuan Hua)	1	電容器	
19	527026P		Grounding Terminal	WAGO	1	接地端子台	

	Part Number	Code	Description	Manufacturer	Q'ty	產品名稱	Memo
20	52404RMIA2YF08AE	KA1~KA6	Relay	Carlo Gavazzi	6	繼電器	
21	52702280901		Terminal Block	WAGO	40	端子匣	
22	52702283901		Terminal Block	WAGO	3	端子匣	
23	52702280402		Jumper Bar	WAGO	7	短路片	
24	52702280907		Grounding Terminal Block	WAGO	2	接地端子匣	
25	52702283907		Grounding Terminal Block	WAGO	1	接地端子匣	
26	52702280681		Terminal Block	WAGO	4	端子匣	
27	52702249117		End Stop Plate	WAGO	2	擋片	
28	52702283325		End Barrier	WAGO	1	端板	
29	52702280324		End Barrier	WAGO	2	端板	
30	52702280308		End Barrier	WAGO	1	端板	
31	52702261301		Terminal Block	Wago	2	端子匣	
32	52702261361		End Barrier	Wago	1	端板	
33	52405H3M1	TIMER	Timer for Backgauge	Fotek	1	定位尺計時器	
34	52405H3TRD30S	TIMER	Timer for Y-Delta Motor Start	Fotek	1	馬達啓動計時器	
35	56294202504		4 Pin Connector For Backgauge	PLT	1	金屬接頭	
36	524092XS212BLNAL2	SENSOR	Proximity Sensor for Backgauge	TE	1	近接開關	
37	52413YC135D	FS1,FS2	Foot Switch	SSUPOU	2	腳踏開關	
38	52811AL201WTG23012	HL	Halogen Lamp	ARC	1	石英燈	
39	52411XCKN2118G11	SQ1~SQ5	Limit Switch for Stroke Adjustment	TE	5	微動開關	
40	52411TZ7311	SQ6	Limit Switch for Notcher	Tend	1	剪角微動開關	
41	52411TZ7312	SQ7	Limit Switch for Stripper	Tend	1	剝料微動開關	

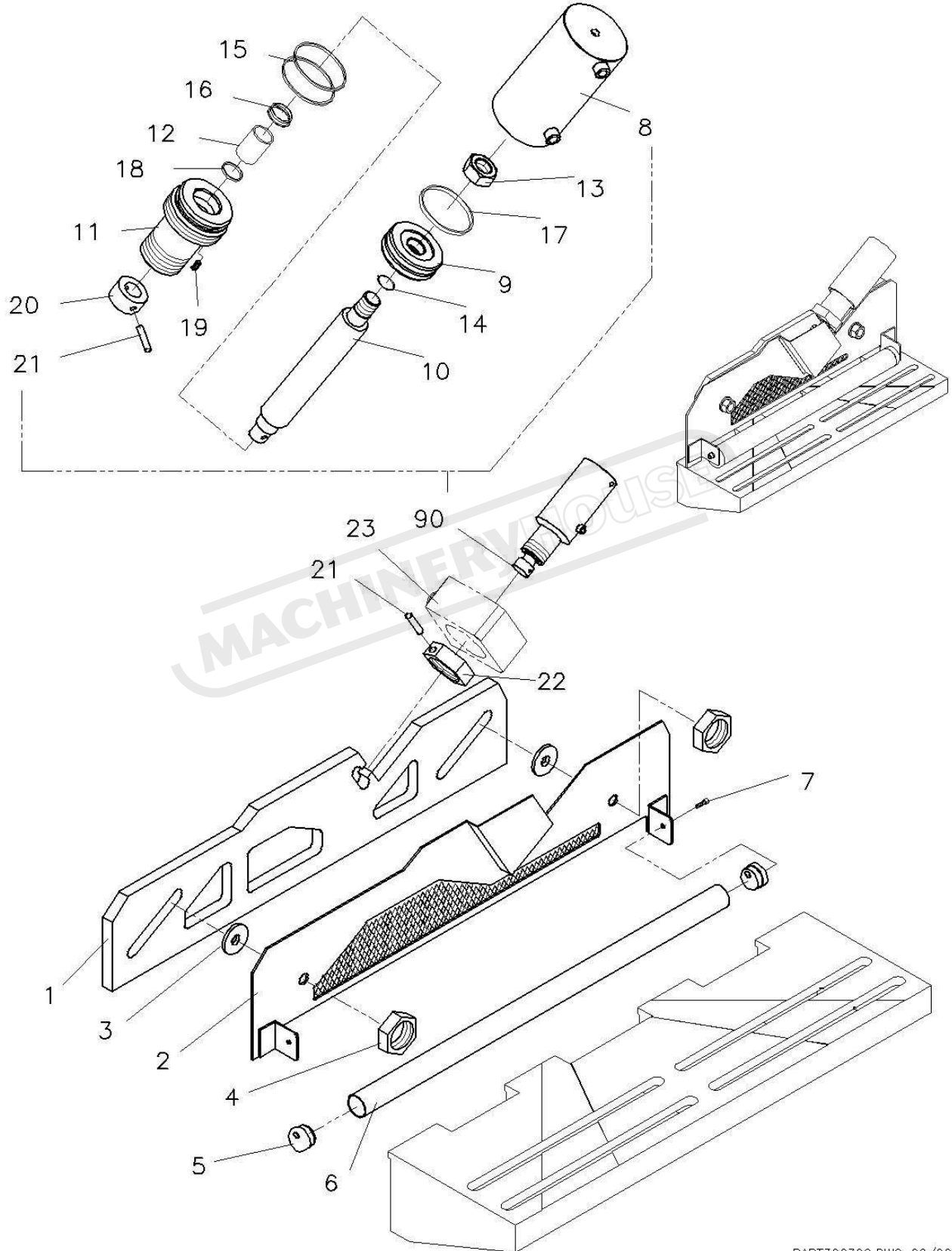
Electrical Circuit (CE)
IW-125S/SD,165SD Y-DELTA start
with sensor

- | | | | |
|------------------------|---------------------|----------------------|-----------------------------|
| SB1: EMERGENCY STOP(A) | FS1: FOOT SWITCH(1) | SQ1: PUNCH UP STOP | SQ6: NOTCH SAFETY INTERLOCK |
| SB2: EMERGENCY STOP(B) | FS2: FOOT SWITCH(2) | SQ2: PUNCH DOWN STOP | SQ7: PUNCH SAFETY INTERLOCK |
| SB3: PUMP OFF | SA1: NORMAL/JOG | SQ3: SHEAR UP STOP | QF: MOTOR CIRCUIT BREAKER |
| SB4: PUMP ON | SA2: SHEAR/NOTCH | SQ4: SHEAR DOWN STOP | |
| | SA3: AUTO/MANU | SQ5: SHORT STROKE | |



L1	L2	L3	PE	G	G	37	12	15	18	19	23	5	6	7	13	14	15	16	21	22	24	25	49	50	20	21	11	17	50	50	0	11	37	26	29	30	32	34	26	27	0	0	0	0	0	0	35	54	
POWER SOURCE						FS1		FS2		SB1		SB2		SQ1		SQ2		SQ3		SQ4		SQ5		SQ6		HL		SQ7	SOL A	SOL B	SOL C	SENSOR																	LAMP

IW-S/SD Hydraulic Holddown



Sunrise Ironworker Parts List

Model: **IW-100S/SD** Part: **3408900 Hydraulic Holddown**

Model: **IW-125S/SD** Part: **3608900 Hydraulic Holddown** Date: 02/2012

Item	Part Number		Description	產品名稱	Q'ty	Memo
1	213408002C		Hydraulic Holddown for Flat Shear	油壓平板剪切壓板	1	
2	213402901	213402025 213402026A	Cover for Hydraulic Holddown	油壓平板剪切護蓋	1	
3	213010007		Washer	油壓平板活動座墊圈	2	
4	56302B0116		Nut M16	螺帽	2	
5	212810010		Protective Pipe Ends	安全滾桿套蓋	2	
6	511330380350628		Protective Pipe	白鐵管 38X 35X628	1	
7	56301A0006025		Hex Bolt M6X25	六角承窩頭螺栓	2	
8	213403921B		Cylinder Pipe	缸管	1	
9	213403924A		Piston	活塞	1	
10	213403922A		Piston Rod	活塞桿	1	
11	213403927A	213403923B	Cylinder Rod Cover	前蓋	1	
12		213003927A	Bushing	前蓋銅襯套	1	
13	24NU001056		Nut 3/4"-16UNF-2A	防鬆螺帽 3/4"-16UNF-2A	1	
14	534013403920A	53403P020	O-Ring	O型環	1	
15		534032228 534048228	O-Ring + Back Up Ring	O型環+背托環	1	
16		5340518701250312B 534040412031803	U Packing + Back Up Ring	U型油封+背托環	1	
17		534021708040 534032139	Piston Seal+ O-Ring	活塞環+O型環	1	
18		53406H1250	Dust Seal	防塵油封	1	
19		56301C0006010		Set Screw M6X10	止付內六角螺栓	1
20	211310011		Holddown Screw End Piece	調整螺桿拉塊	1	
21	56306S0060030		Spring Pin Ø6X30	彈簧銷	1	
22	213010006		Nut	油壓缸固定螺帽	1	
23	213401017A		Cylinder Fixingblock	平板油壓缸固定座	1	
90	213403920C		Hydraulic Holddown Cylinder	平板壓塊油壓缸	1	
	211603914A		Connector	兩通		
	53653PN500DN6		Ball Relief Valve	球閥		
	213203017A		Manifold Block	油路板		
	5350134003	535020200060850	Hyd. Hose 3/8"X2WX850L	高壓油管		
		535020200040850	Hyd. Hose 1/4"X2WX850L	高壓油管		
		535020210040370	Hyd. Hose 1/4"X2WX370L	高壓油管		
		535020200040390	Hyd. Hose 1/4"X2WX390L	高壓油管		